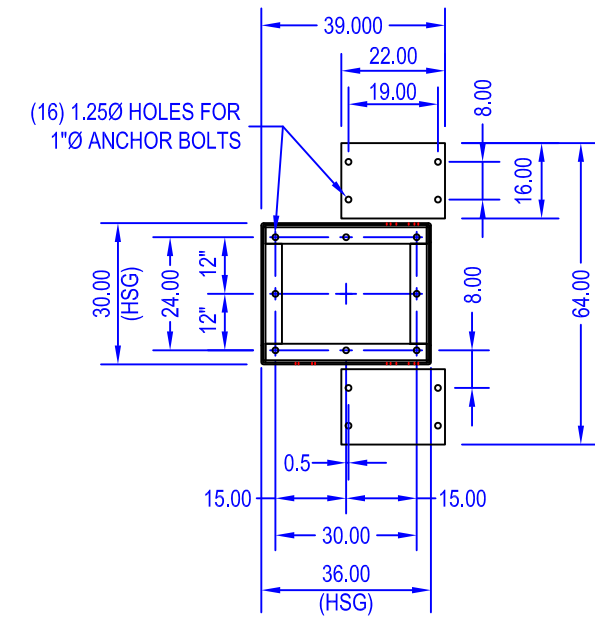
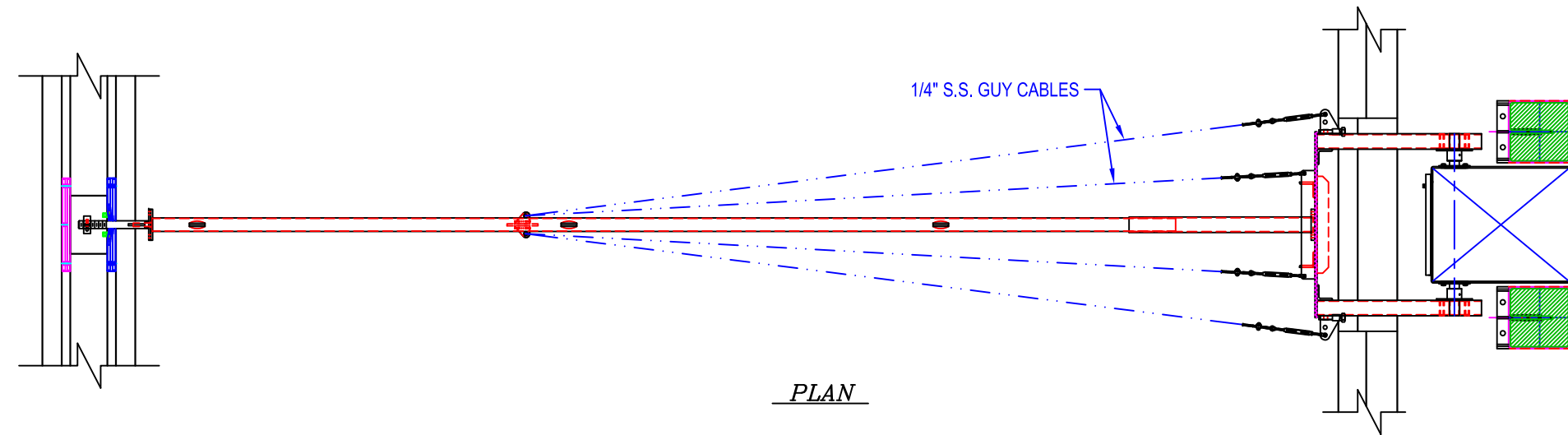
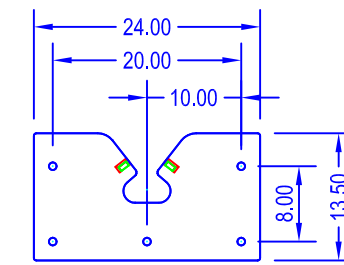


VR-6V VERTICAL RESISTANCE BARRIER (VERTICAL COUNTERWEIGHTS)

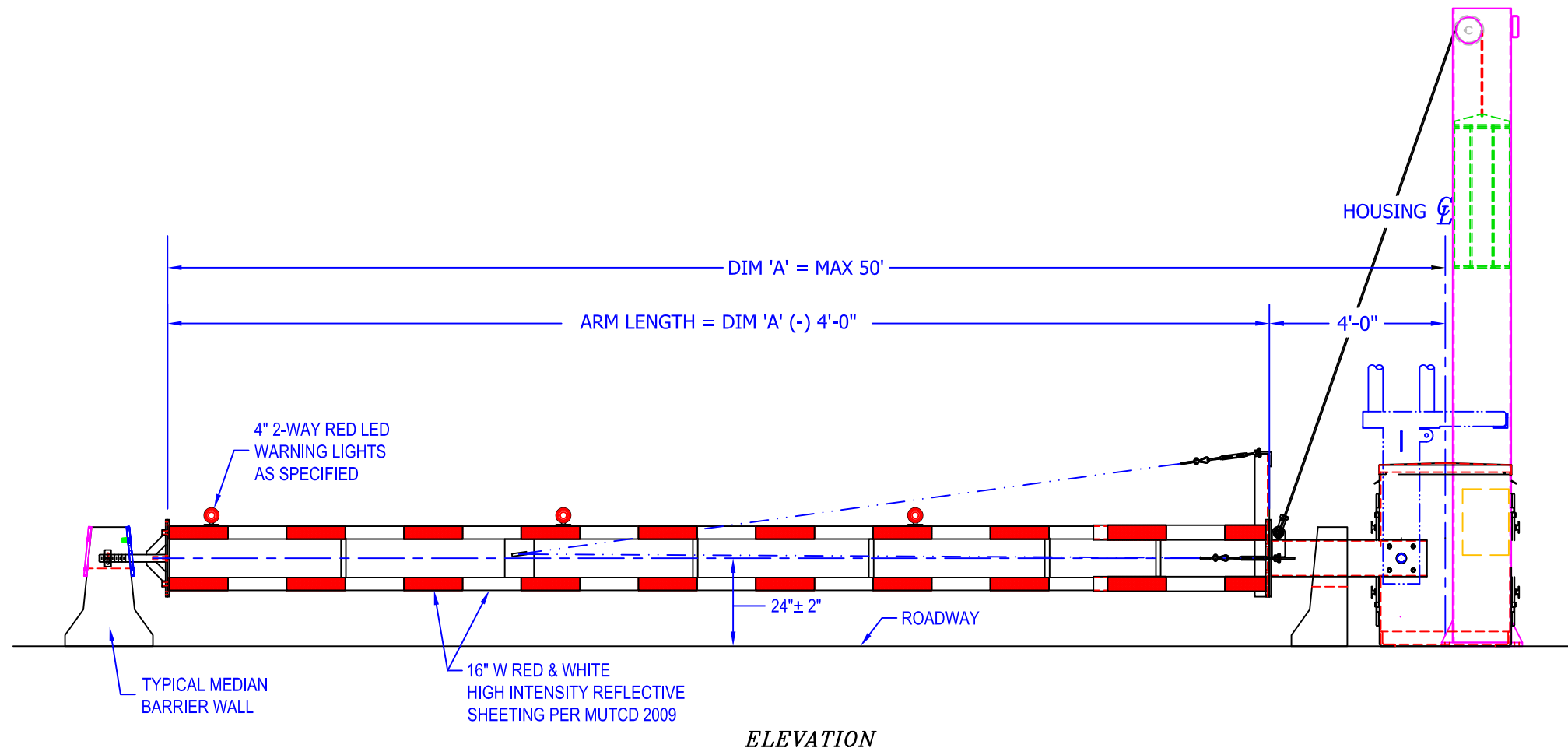
Basic Dimensions



RESISTANCE BARRIER
MOUNTING PATTERN



RECEIVER PLATE
(TYPICAL)
SCALE: 2X



BR6-I085A