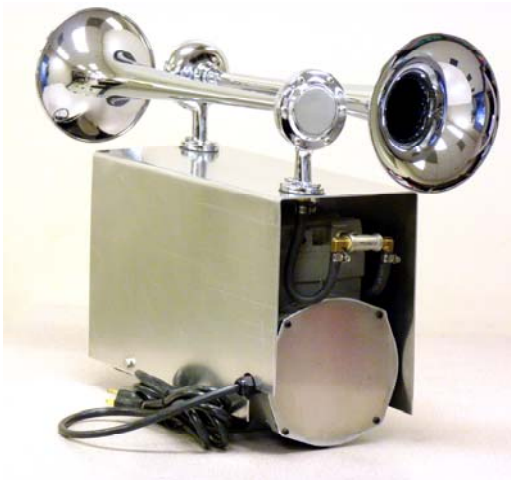


## AHR-1 & AHR-2 AIR HORN Specifications



*The AHR-1 (single horn) & AHR-2 (dual horn) air horn merges the best features of earlier bridge horns to create a rugged and reliable unit. Single or Dual brass projectors offer superior corrosion resistance and provide uni- or bi-directional projection for vessels approaching a bridge. A weather-proof compressor unit allows installation at any convenient location. The powerful, piercing trumpet tone is audible even over high noise levels. Designed for quick setup and maintenance-free operation, the AHR-1 & AHR-2 are the solution for aural marine traffic signaling or for warning applications at large storage yards or other industrial facilities.*

**GENERAL:** The air horn shall be Model AHR-2 (dual projectors) [AHR-1 (single projector)] made by B&B Roadway, (888) 560-2060, or an approved equal meeting all specifications defined herein.

**APPLICATIONS:** The air horn shall be used as an aural signal to draw attention to operation of the bridge.

**PROJECTORS:** The projectors shall be of spun brass [option: chrome plated brass], approximately 18" (457mm) in overall length each, and shall feature a diaphragm designed for high pressure operation and low air consumption. The projectors [projector] shall be capable of producing a tone between 250 and 320 Hz with a decibel rating of 120db at 10 feet.

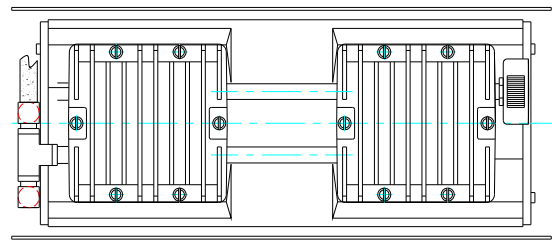
**COMPRESSOR UNIT:** Compressor motor shall be 1 HP, 120V, 60 Hz, 10.4 FLA. Compressor shall be a weatherproof, rapid response, direct drive piston type compressor. Piston and cylinder shall be an oil-less, non-lubricated type, with a Teflon compound piston ring. Compressor valves shall be stainless steel. Bearings shall be permanently sealed, pre-lubricated ball type, requiring no maintenance. All components and fasteners shall be corrosion resistant.

**MOUNTING:** The standard air horn assembly shall be a single unit comprised of compressor and horns and shall be suitable for outdoor mounting.

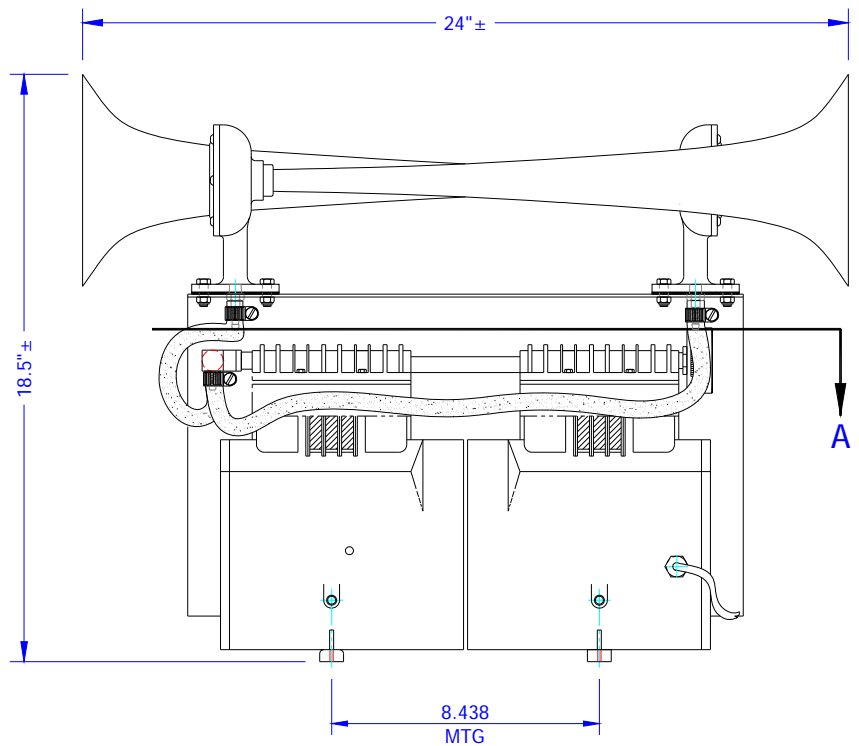
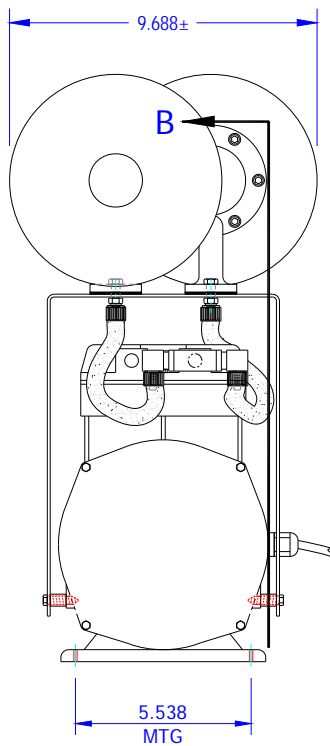
**FIELD CONNECTIONS:** The electrical contractor shall also provide a pushbutton or similar control device at the control station for operation of the air horn.

Revised 4/14

**AHR-2 AIR HORN**  
 Basic Dimensions



SECTION A



SECTION B