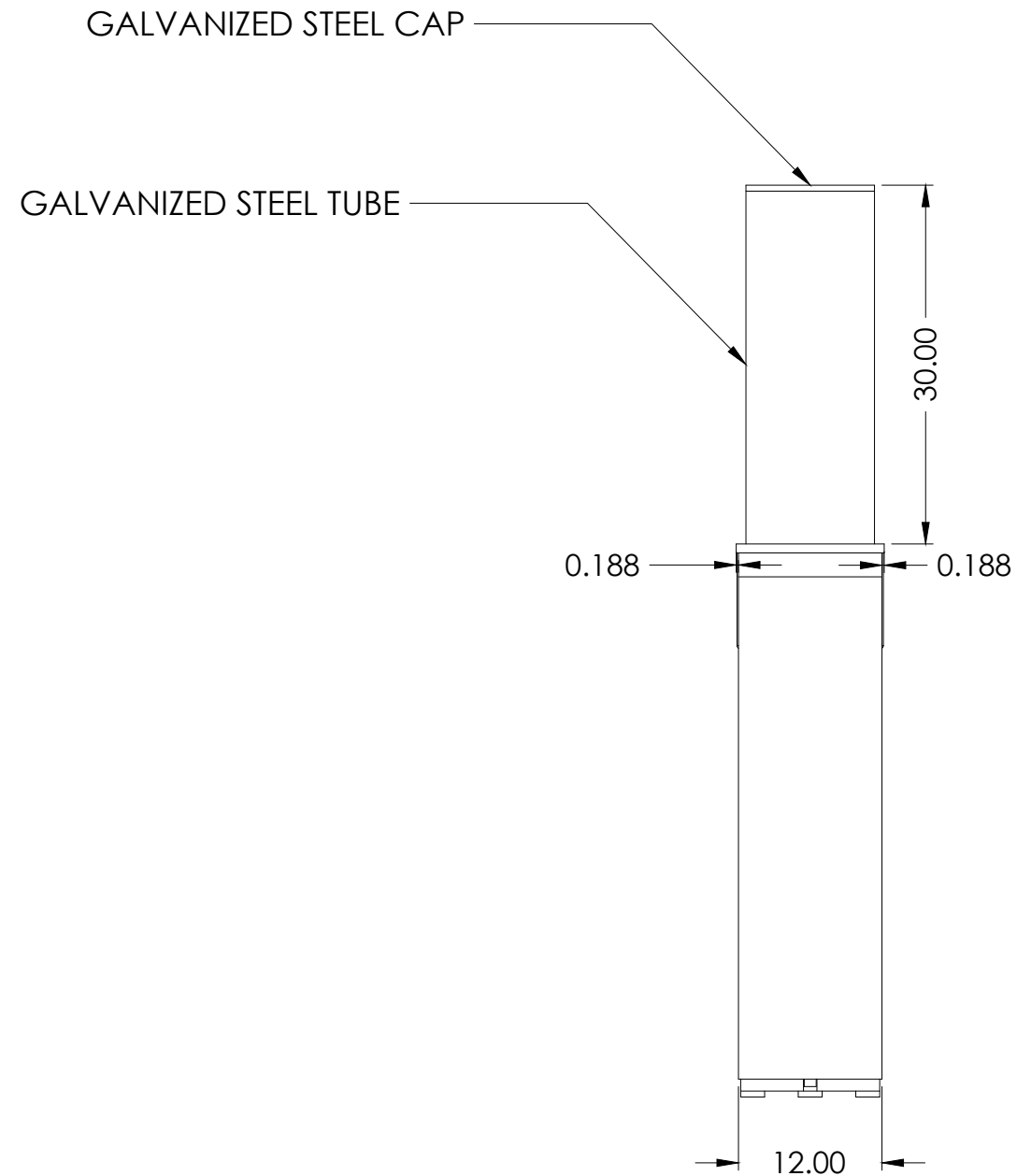
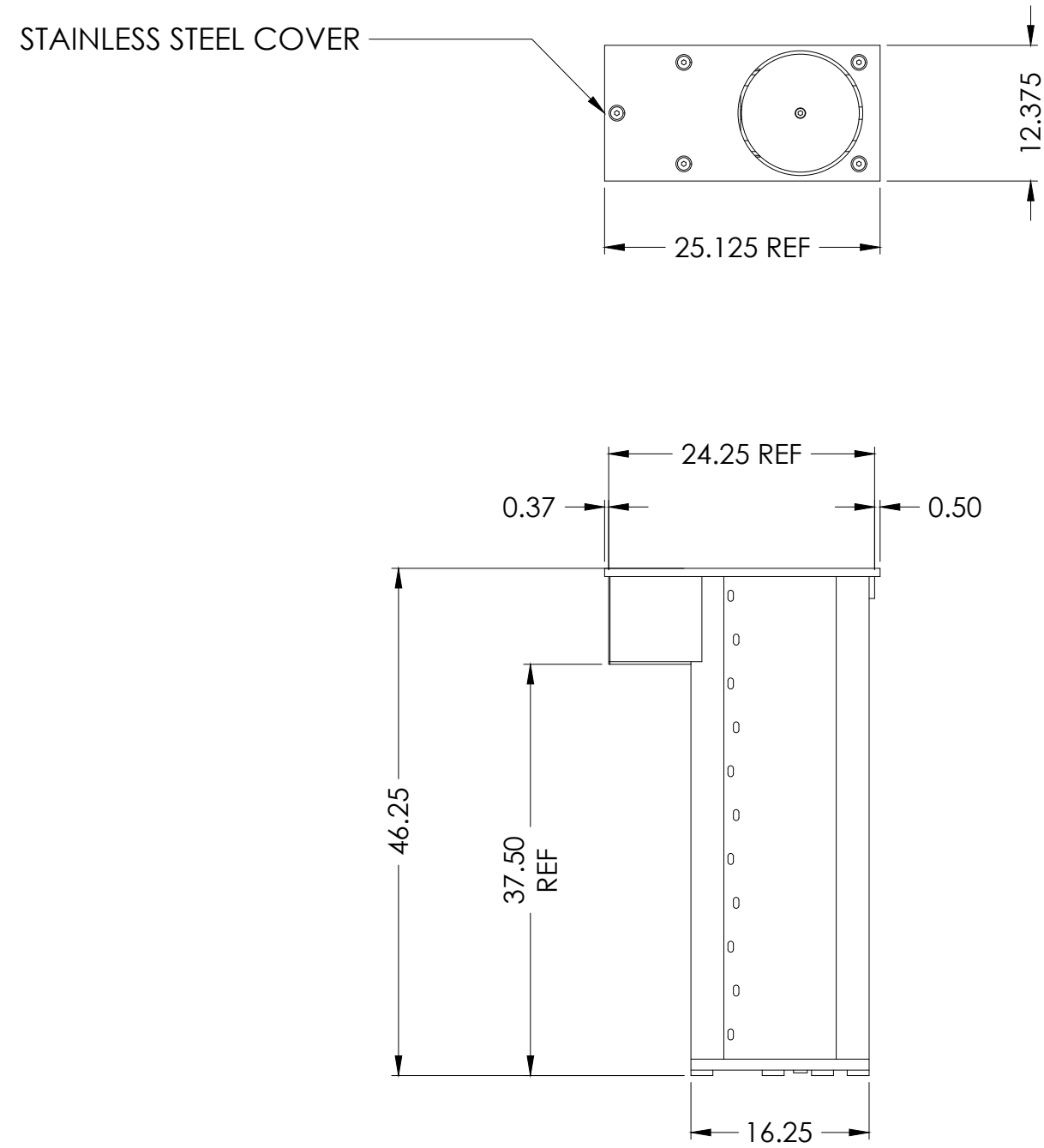


NOTES:

1. CUSTOMER TO APPROVE PRIOR TO FABRICATION
2. BOLLARD TUBE AND CAP ARE HOT-DIPPED GALVANIZED STEEL PAINTED BLACK
3. TOP PLATE IS STAINLESS STEEL PAINTED BLACK WITH AN ANTI-SKID SURFACE.



Approval: SALES

**ASSA ABLOY**

DIMENSIONS - B30 BOLLARD  
GALV. TUBE AND CAP; STAINLESS COVER

Proj No: GEN

Prog: | Model No: B30-2100-SG | REV -

B&B Roadway and Security Solutions  
McKinney

REV - | SH: 1 OF 1